

Product Description

The 4150 cabinets have a cell system to accommodate 24"D (61 cm) accessories or the 4150AP accessory package. The cell system has 18 usable cells. The interior ceiling is pre-set to hold up to three optional pull-out Cath Managers (8CM), each with eight hooks. Door options include a locking roll top door (4150C, shown here), or a locking glass hinged door on either the left (4150LGA) or the right (4150RGA). The sloped top meets healthcare requirements.

Product Specifications

Materials

Shell	Durable textured powder-coat finish in soft white on 20-gauge steel.
Cell Panels	Durable ABS plastic.
Tambour Door	Counterbalanced, locking. Light gray 1342.

Dimensions

	Interior	Exterior
Model No.	4150C	
Height	64 1/4" (163.2 cm)	84" (213.4 cm)
Width	13 1/2" (34.3 cm)	18" (45.7 cm)
Depth	24" (61 cm)	24 3/4" (62.9 cm)
Weight	150 lbs. (68.2 kg)	

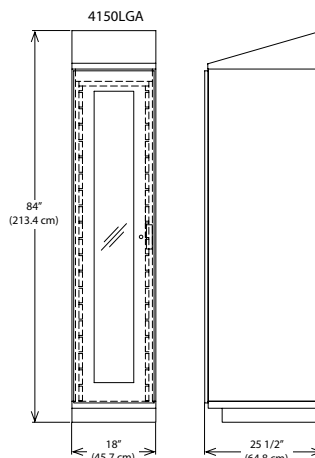
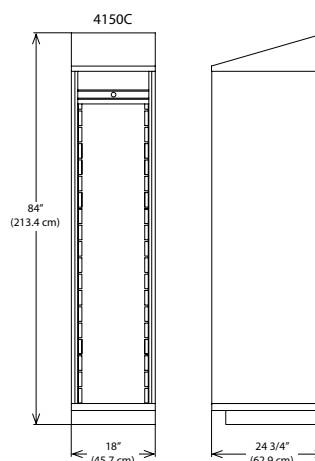
Model No.	4150LGA/RGA	
Height	67 1/2" (171.5 cm)	84" (213.4 cm)
Width	13 1/2" (34.3 cm)	18" (45.7 cm)
Depth	25 1/2" (64.8 cm)	24 3/4" (62.9 cm)

Options (See full line catalogue for additional accessories)

RTKE	Electronic roll top keyless entry (4150C only).
4150LGA	Left hinged locking glass door.
4150RGA	Right hinged locking glass door.
8CM	75 Lbs (34 kg) capacity, eight hook, white



Accessories sold separately.



4150LGA shown with left hinge.
4150RGA not shown.