

Product Description

If you're looking for style, versatility and maneuverability, then you'll find it in our line of Harmony® small carts. Two toned in color, with a white shell and lavender drawers, the 6324LINE is pre-configured (3-3" drawer, 1-6" drawer and 1-9" drawers) and accessories, as shown. Full extension metal drawers accept removable InnerSpace plastic trays and dividers. Every small cart comes standard with heavy-duty 5" (12.7 cm) plate casters, central key-lock and a pull-out writing surface.

Product Specifications

Materials

Shell	Steel Panel Construction with Aluminum Corner Posts.
Base	Integrated Steel Bumpers with Thermoformed ABS Shell.
Drawers	Steel Drawer Fronts.
Work Top	Seamless Thermoformed ABS with Raised Edge.
Pull-Out	Blow-Molded ABS Plastic with Steel
Writing Surface	Reinforcement - 35 lbs. (15.9 kg)
Drawer Glides	Steel Ball Bearing, 88 lbs. (40 kg) limit.
Finish, Exterior	Durable, Thermoset Powder Coating Anodized
Metal Surfaces	Aluminum Posts. All harmony carts available in white.
Casters	5" Full-Swivel Plate Type with Steel Mounting Plates, two (2) with Locks, One (1) Tracking Caster.
Locking System	Central Locking System with Key Lock is Standard.
Accessory	Side Mounted Accessories: Vertically Adjustable
Mounting	Aluminum Rails. Top-mounted Accessories: Reinforced
System	Post Guides.

Included Accessories

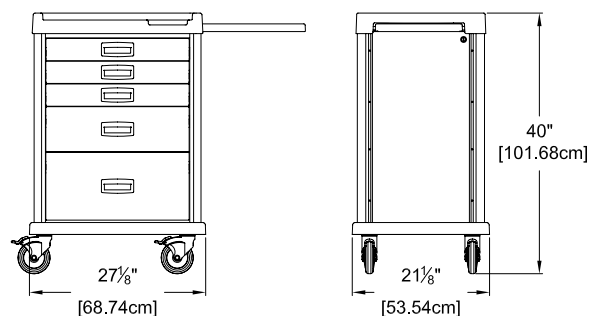
VUR2	Upper Accessory Rail, 2 Rails, Includes Posts
VIV	IV Pole
VTB-4	Tilt Bins, 4 (Upper Posts & Rail Sold Separately.)
VTD-2	Tape Dispenser, Upper Rack Mount
VSC5	Locking 5 Qt. Sharps Container

Exterior Dimensions

Height	Width	Depth	Weight
40" (101.7 cm)	27 1/8" (68.9 cm)	21 1/8" (53.7 cm)	145 lbs. (65.8 kg)



6324LINE



Options (See small cart catalogue for more accessories)

3TRD	Plastic Tray for 3" drawer, dividers included.
6TRD	Plastic Tray for 6" drawer, dividers included.
9TRD	Plastic Tray for 9" drawer, dividers included.