

Product Description

If you're looking for style, versatility and maneuverability, then you'll find it in our line of Harmony® small carts. With a white shell and red drawers, the 6330R6 is pre-configured with six drawers (3-3" drawers, 2-6" drawers, and 1-9" drawer) and accepts a wide range of accessories. Full extension metal drawers accept removable InnerSpace plastic trays and dividers. Small carts come standard with heavy-duty 5" (12.7 cm) plate casters, central key-lock and a pull-out writing surface. Accessories sold separately, or purchase (CVP) Crash Value Pack.

Product Specifications

Materials

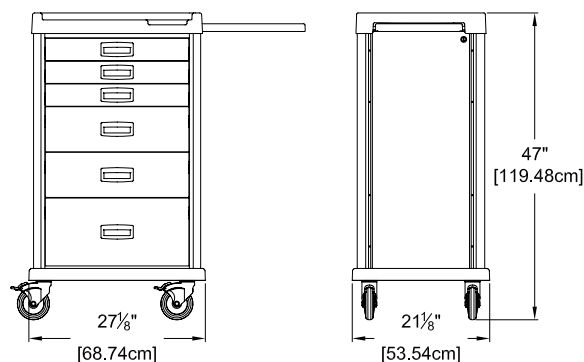
| | |
|---------------------------------|--|
| Shell | Steel Panel Construction with Aluminum Corner Posts. |
| Base | Integrated Steel Bumpers with Thermoformed ABS Shell. |
| Drawers | Steel Drawer Fronts. |
| Work Top | Seamless Thermoformed ABS with Raised Edge. |
| Pull-Out | Blow-Molded ABS Plastic with Steel |
| Writing Surface | Reinforcement - 35 lbs. (15.9 kg) |
| Drawer Glides | Steel Ball Bearing, 88 lbs. (40 kg) limit. |
| Finish, Exterior Metal Surfaces | Durable, Thermoset Powder Coating Anodized Aluminum Posts. All harmony carts available in white. |
| Casters | 5" Full-Swivel Plate Type with Steel Mounting Plates, two (2) with Locks, One (1) Tracking Caster. |
| Locking System | Central Locking System with Key Lock is Standard. |
| Accessory Mounting System | Side Mounted Accessories: Vertically Adjustable Aluminum Rails. Top-mounted Accessories: Reinforced Post Guides. |

Exterior Dimensions

| Height | Width | Depth | Weight |
|----------------|-------------------|-------------------|--------------------|
| 47" (119.4 cm) | 27 1/8" (68.9 cm) | 21 1/8" (53.7 cm) | 168 lbs. (76.2 kg) |



6330R6



Options (See small cart catalogue for more accessories)

| | |
|-------|--|
| VIV | IV Pole |
| VOT-1 | Oxygen Tank Holder |
| VRB-1 | Resuscitation Board |
| VDS-1 | Defibrillator Shelf, Swivel Type |
| VBLB | Break-Away Lock Bracket |
| CVP | Pre-Configured Value Pack. Includes VIV, VOT-1, VRB-1, VDS-1, VBLB |
| 3TRD | Plastic Tray for 3" drawer, dividers included. |
| 6TRD | Plastic Tray for 6" drawer, dividers included. |
| 9TRD | Plastic Tray for 9" drawer, dividers included. |